

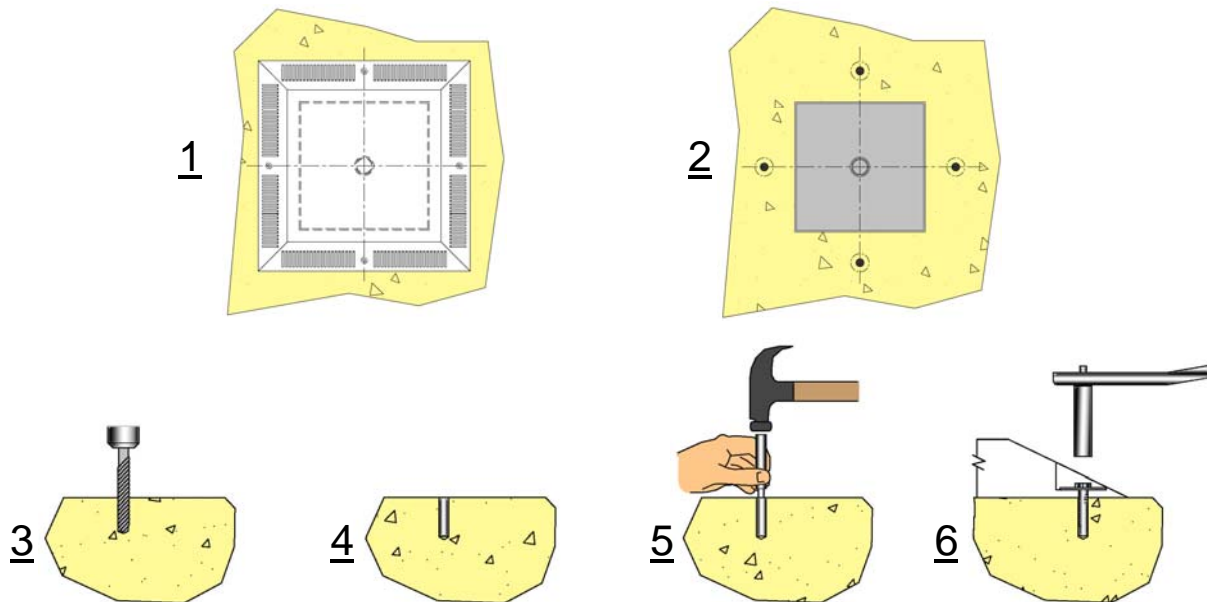


## Notes!

**Be sure to remove existing main drain sump cover or grating.**

**Read and save these instructions for future reference – see drawings below for each numbered step.**

1. Position AEGIS Anti-Entrapment Shield over existing main drain sump to locate anchors in pool structure.
2. Mark locations of (4) mounting holes.
3. Use a 3/8" carbide-tipped drill bit to drill hole. Hold drill securely and straight to prevent irregular shaped holes. Clean out the concrete dust from holes as required.
  - For tile or plastered finish, drill a 1.5" deep hole and use the supplied 1.5" bolts to secure.
  - For painted concrete finish, drill a 1" deep hole and use the supplied 1" bolts to secure.
4. Drop anchor in hole and tap until flush with the concrete underneath the tile or plaster finish.
5. To set drop-in anchor, expand anchor by inserting setting tool into anchor body and set with several solid hammer blows. The anchor is set properly when shoulder of setting tool is flush with the top of anchor.
6. Align AEGIS Anti-Entrapment Shield over set anchors, insert bolts with washers and tighten to 80 inch/lbs.



Pg 1 of 2

R 4/17/09

BY	RPD
CHK	SJH





## Additional Instructions

Do not install cover on seating areas or backrests.

Multiple covers installed on a common suction line must be separated by 3 ft.

Maximum flowrate at 1.5 fps = 600 gpm.

NSF Certified maximum flow rates: Wall - 1120 gpm. Floor - 1432 gpm. (DO NOT EXCEED)

When used with NSF Certified main drain sump Neptune-Benson # 242424SSMD-8 connection size is 8". Four (4) acorn nuts #12495 and four (4) washers # 655S04WSHRT316, are included.

This cover is approved for use over any field built main drain sump that meets the requirements of figure 2. in the ASME Code for Suction Fittings, providing the sump is qualified by a "Licensed Design Professional".

This cover requires a wrench or ratchet to install or remove hardware.

This cover requires no special winterizing instructions.

Cover should be visually inspected for damage during facility shutdown.

Loose hardware must be tightened prior to using facility.

Do not use facility if cover is missing, broken, or cracked.

If the pump size is increased, be sure it cannot exceed the maximum certified flow rates.

If one suction outlet is blocked, the remaining outlets shall have a flow rating capable of the full system flow.

### Permanent data plate molded into cover

ASME A112.19.8a-2008 VGB-2008
FOR SINGLE OR MULTIPLE DRAIN USE
WALL FLOWRATE: 1120 GPM
FLOOR FLOWRATE: 1432 GPM
LIFE: 15 YEARS - SUBMERGED OUTLET
AEGIS by NEPTUNE-BENSON, INC.

Minimum text height = .10"

